

# MORE

mobile & internet & more

## NetComm CF40 Wi-Fi 6 Quick Start Guide

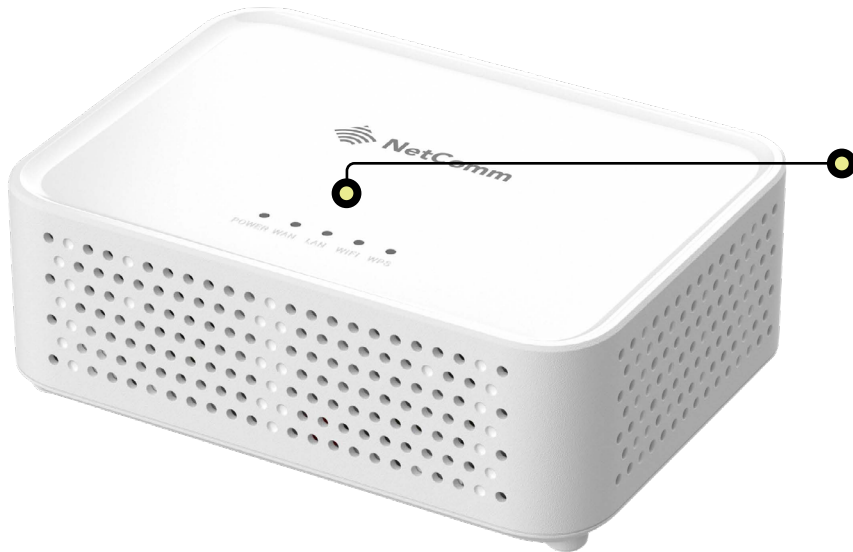


This guide provides instructions for setting up, connecting, and configuring your NetComm CF40 Wi-Fi 6.

## Contents:

Get to Know Your NetComm CF40 Wi-Fi 6	3
Setting Up Your NetComm CF40 Wi-Fi 6	5
Configuring Your NetComm CF40 Wi-Fi 6	7
Other Important Information About Your NetComm CF40 Wi-Fi 6	8
Need Support?	8

## Get to know your NetComm CF40 Wi-Fi 6

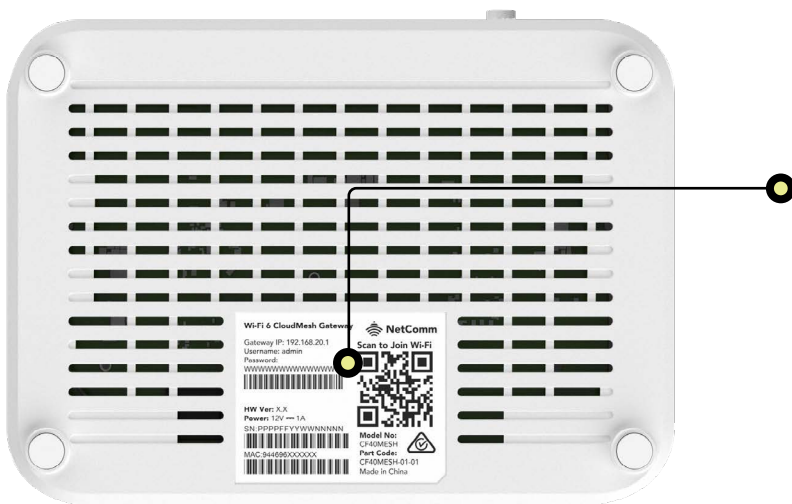


### Top view of device

#### LED Indicator Lights

This lights represent the working state and connectivity of the NetComm Wi-Fi 6 Gateway

- Green = connected
- Red = disconnected



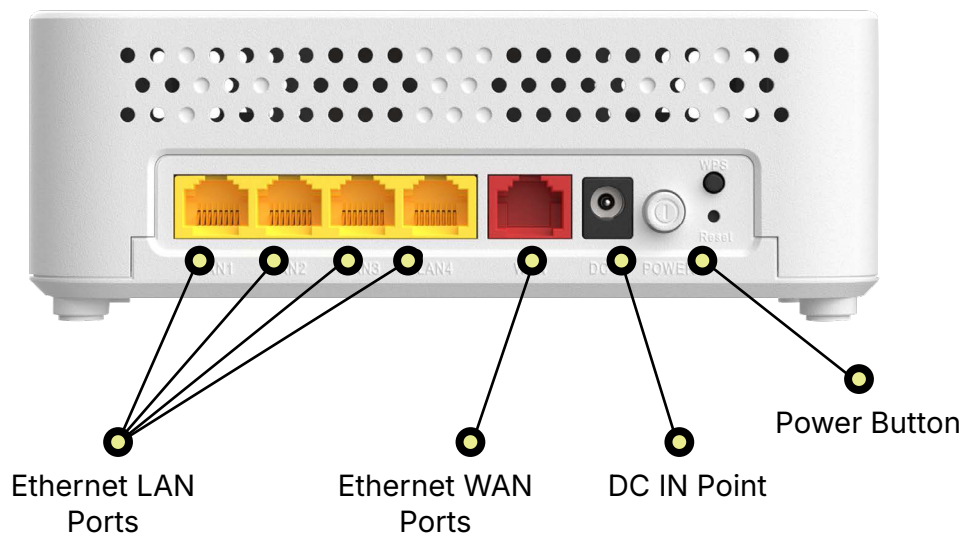
### Bottom view of device

#### Wi-Fi 6 Gateway Label

Contains your Wi-Fi network name and Wi-Fi password. You'll need these to connect your devices to Wi-Fi.

## Back view of the device

NetComm CF40 Wi-Fi 6



### Button/Port

### Description

Power Button	Turns the NetComm CF40 Wi-Fi 6 on or off.
DC IN Point	Connection point for the included power adapter to connect to the power supply.
Ethernet WAN Port	Connect to your Network Termination Device (NTD) for high-speed internet access. Covers fixed line technologies such as nbn® FTTP, HFC, FTTC and Fixed Wireless.
Ethernet LAN Ports	Connect your Ethernet based devices (E.g., computers, servers, modems, Wi-Fi routers, switches, and other network devices) to one of these ports for high-speed internet access.

## Setting up your NetComm CF40 Wi-Fi 6

### 1. Power on the NetComm CF40 Wi-Fi 6

- Plug the device power adapter into a wall socket.
- Press the power button on the NetComm CF40 Wi-Fi 6 and wait a few minutes for it to start up.
- The power LED indicator will appear green on the top of the NetComm CF40 Wi-Fi 6 if it is on and operating correctly.

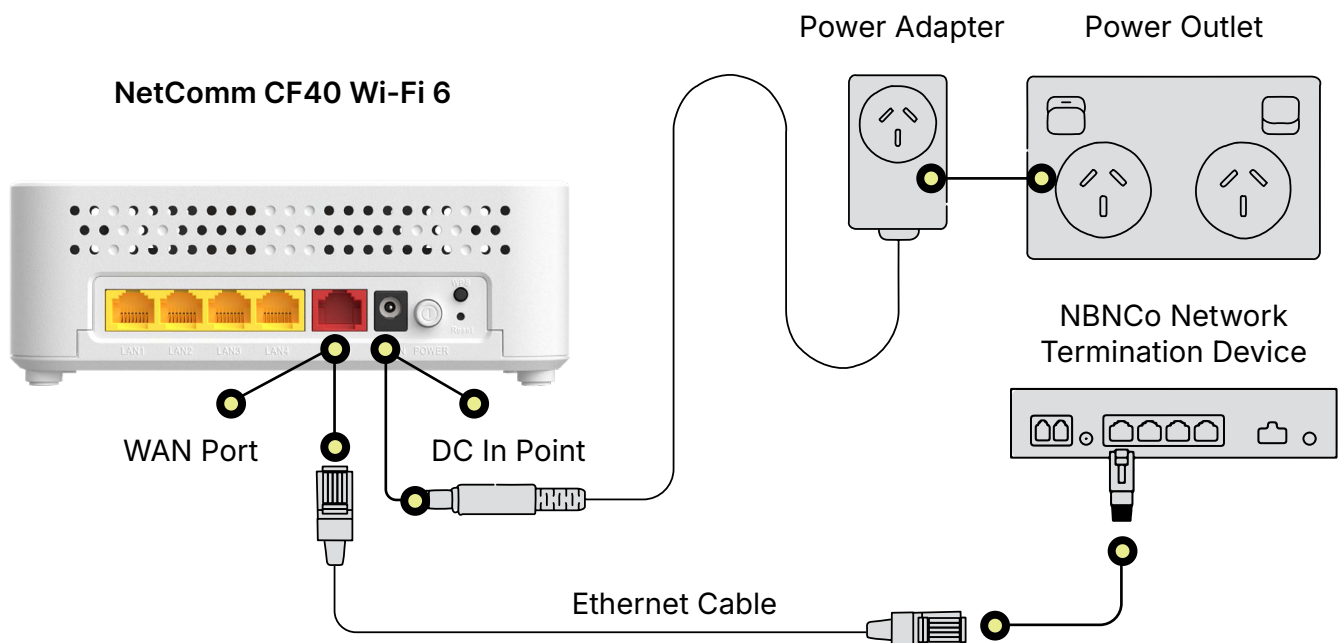
### 2. Connect your NetComm CF40 Wi-Fi 6

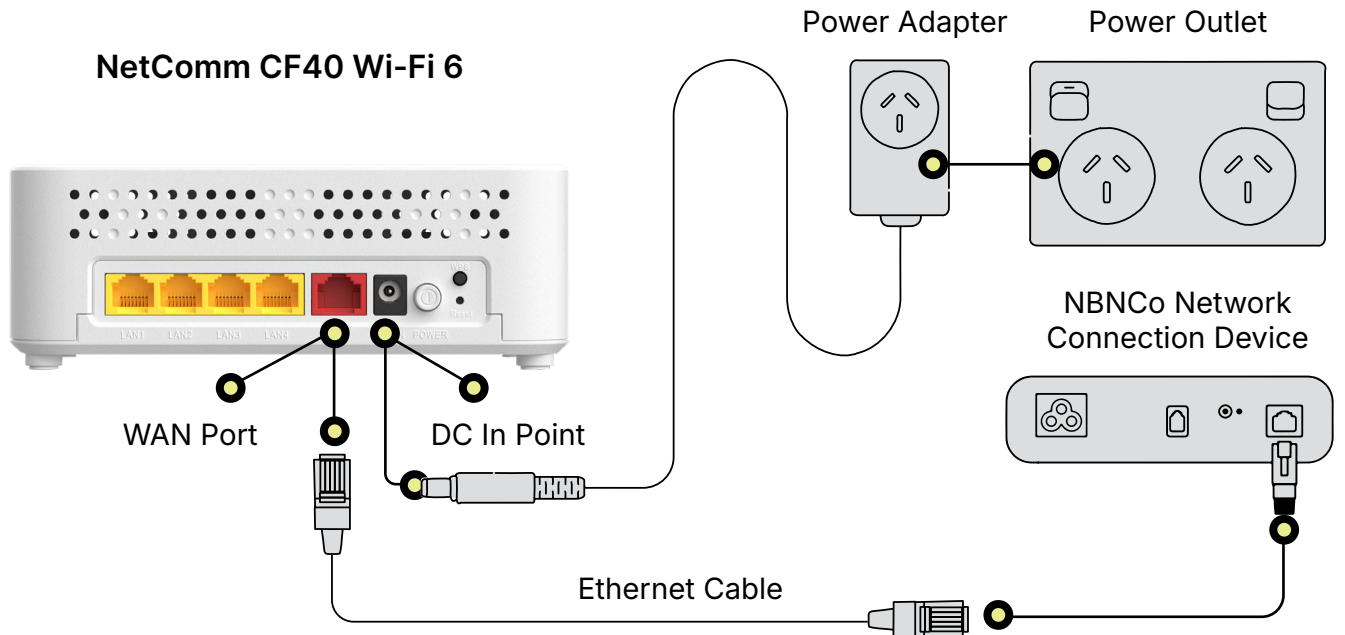
Depending on your nbn® technology type, your NetComm CF40 Wi-Fi 6 will connect differently. If you are unsure of your nbn® technology type, it is listed in your nbn® ordered email.

Hybrid Fibre Coaxial (HFC)  
Fibre to the Premises (FTTP)  
Fibre to the Curb (FTTC) or Fixed Wireless

Connect the ethernet cable from the WAN port on the NetComm CF40 Wi-Fi 6 to the UNI-D port on your nbn® connection box.

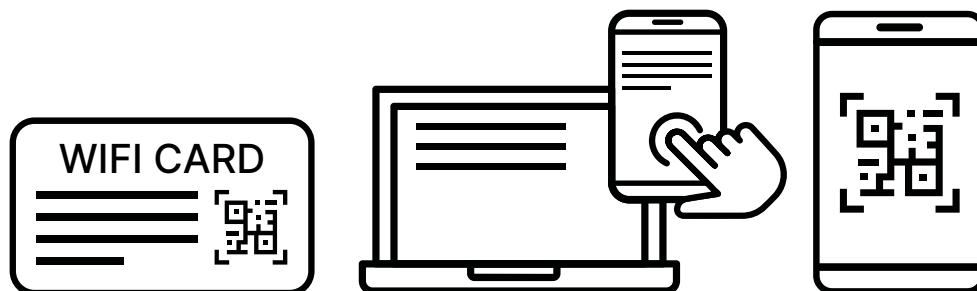
Note: Wait for the lights on the nbn® connection box to turn blue (this may take up to 15 minutes).





### 3. Connect your devices to Wi-Fi

- Using your device, scan the QR code on the label and/or Wi-Fi Security Card and select "Join Wi-Fi Network" if prompted.
- Alternatively, on your device scan for and select the Wi-Fi Network Name and enter the password outlined on the label and/or Wi-Fi Security Card to connect.



## Configuring your NetComm CF40 Wi-Fi 6

Note: This is only needed if you have factory-reset your modem/router. Otherwise, More has pre-configured hardware specifically for your service and this step is not required.

If you have factory-reset your device or purchased from an alternative retailer, please follow these easy steps to access the configuration page of your NetComm CF40 Wi-Fi 6.

1. Push the power button on the back of the NetComm CF40 Wi-Fi 6 to turn it on. Wait a few minutes for it to complete starting up.
2. Connect to the NetComm CF40 Wi-Fi 6 using Wi-Fi or an Ethernet cable to the yellow LAN port.
3. Open a web browser and type <https://192.168.20.1/> into the address bar, then press Enter.
4. At the login screen, type in the username and password printed on the label on the bottom of the NetComm CF40 Wi-Fi 6 and click the login button.
5. Select 'Basic Setup' from the menu on the left-hand side of the screen to begin set up.
6. Select 'PPPoE' as your WAN setting connection type.
7. Enter your SSID and password. Note: SSID is your unique network name that appears when you scan for nearby wireless networks. You can choose and create your own network name.
8. Select your applicable 'Time Zone Offset' and 'Daylight Saving Time' setting.
9. Review the summary page that will appear and select the 'Save' button to complete the setup.

## Other Important Information about your NetComm CF40 Wi-Fi 6

### Product Warranty

NetComm offers a two (2) year warranty on fixed broadband products commencing from the date of purchase. For more information read NetComm's T&Cs [here](#).

### Wi-Fi Analytics Platform

The CloudMesh Wi-Fi Analytics Platform is a fully integrated solution that provides visibility into the health of each individual Wi-Fi home network. It creates superior end-user experiences by enabling proactive diagnostic, management, and control of the home Wi-Fi environment, helping resolve even the most elusive Wi-Fi problems.

### Wi-Fi Autopilot

Every NetComm CF40 Wi-Fi 6 includes the CloudMesh Wi-Fi AutoPilot. Wi-Fi AutoPilot constantly scans and analyses your Wi-Fi network environment and if any detrimental changes are detected, the Wi-Fi AutoPilot adjusts the NetComm CF40 Wi-Fi 6's Wi-Fi parameters. Any action taken is based on a patented and weighted algorithm ensuring the internet connection experience is never compromised. It ensures that every Wi-Fi client device is connected on the best possible channel, using the fastest available band, at the perfect RF power level, utilising the closest Wi-Fi access point.





# MORE

## Need support?

For a more comprehensive user guide, you can view the NetComm User Guide [here](#).  
Alternatively, for Customer Service and troubleshooting, contact our team on [1800 733 368](tel:1800733368)

